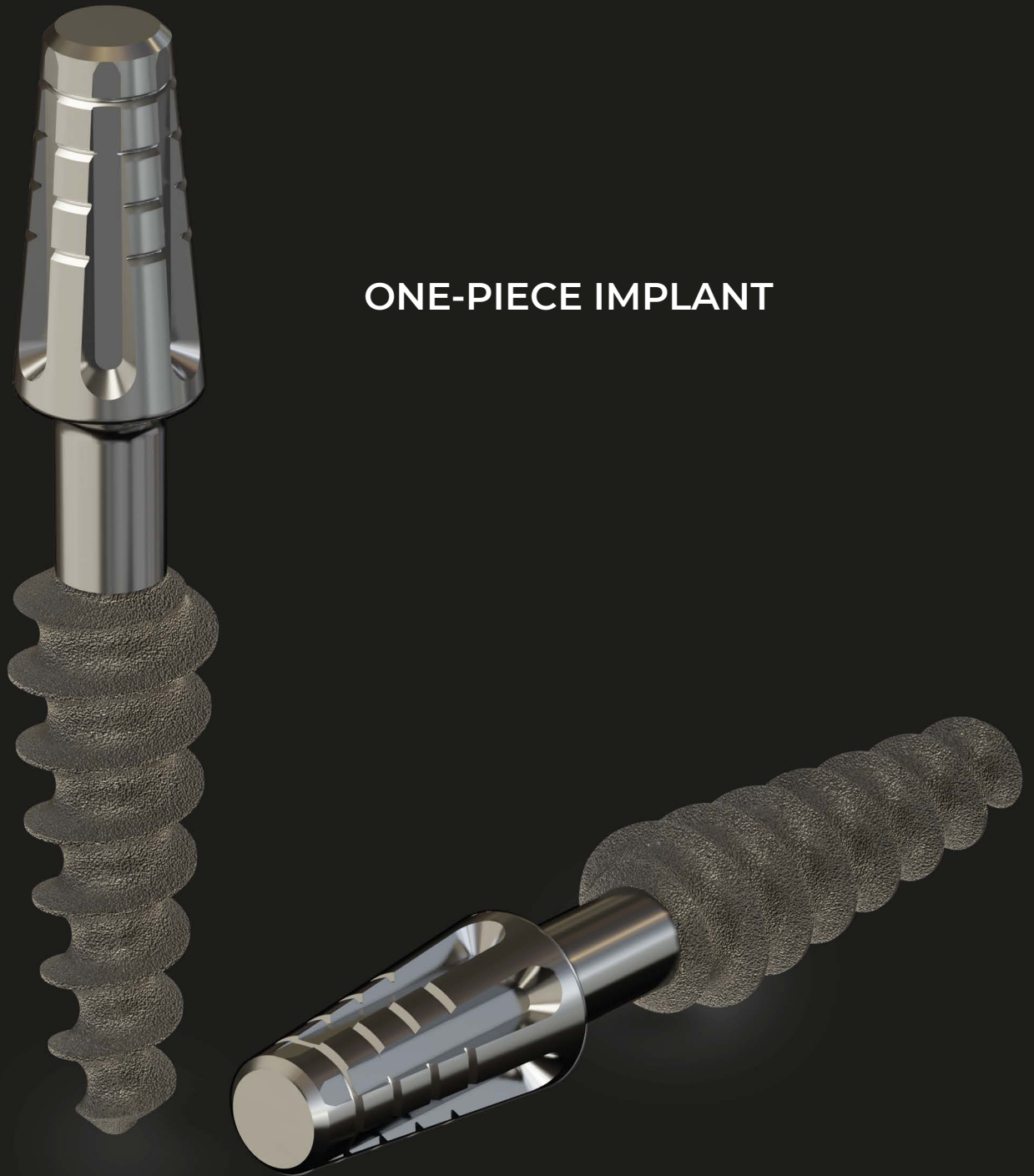


HITS IMPLANTS

COMPATIBLE DENTAL IMPLANTS

ONE-PIECE IMPLANT



BWS® surface is made by a sandblasting and acid etching process. This double process allow to obtain an extremely clean surface with a uniform and homogeneous roughness that promotes cell adhesion.

OPTIMAL ROUGHNESS VALUE SANDBLASTING AND ACID ETCHING

The process of sandblasting and acid etching the implant surface makes it possible to obtain optimal values of roughness creating the strongest fibrin adhesion to the surface and facilitating the bone healing process by significantly reducing the time.

CONTACT OSSEOINTEGRATION FIBRIN ADHERENCE

The capacity of BWS® to retain fibrin, lets osteoblasts migrate from the bone to the implant surface and reproduce there, generating new bone in direct contact with the titanium (contact Osseointegration).

SEM CONTROL

THE IMPLEMENTED PROTOCOL PROVIDES VERIFICATION OF EACH BATCH OF PRODUCTION

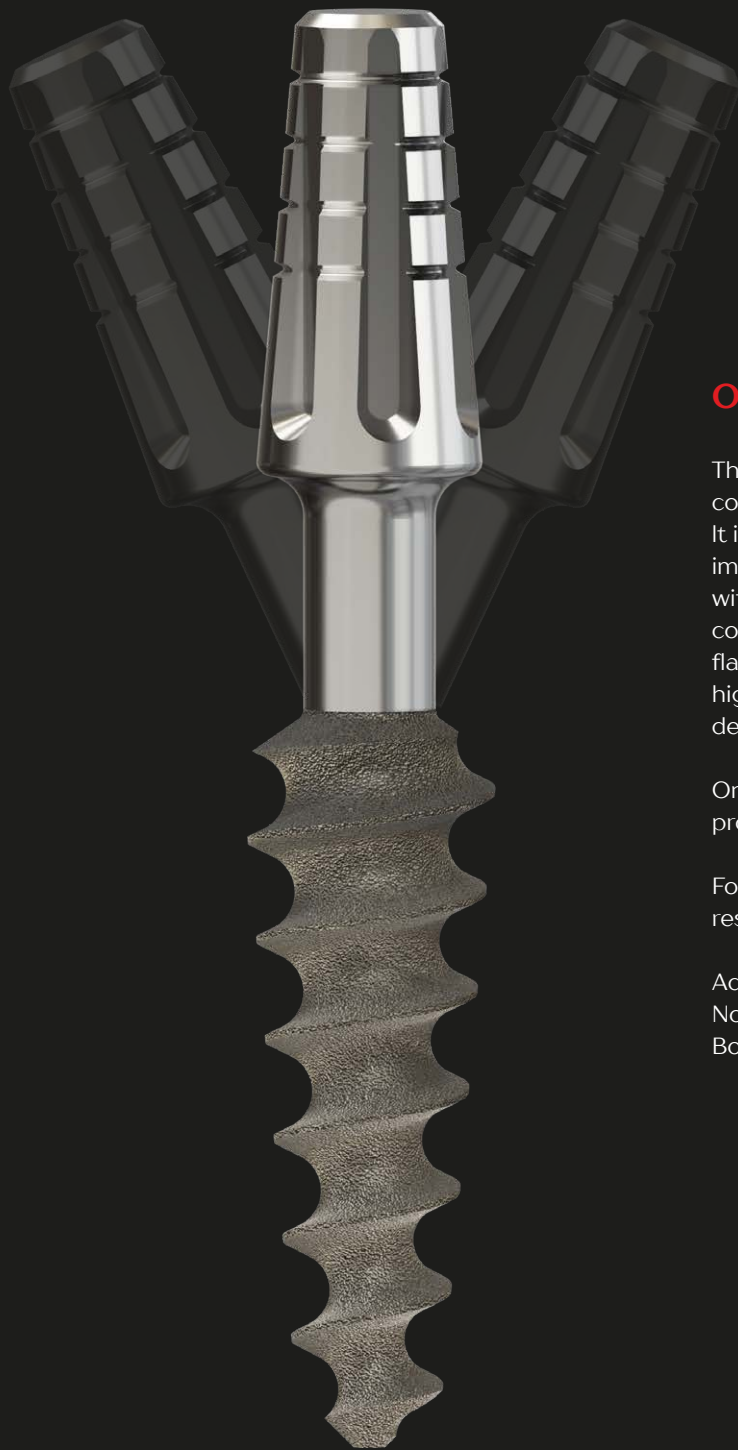
After the surface treatment and the classic washings, HITS Implants are additionally cleaned with Argon Cold Plasma to minimize carbon contamination. Subsequently, minute controls are performed on the fixture with scanning electron microscopes (SEM).

- Packaging in controlled environments
- Clean room ISO 7
- Packaging impermeable to micro-organisms
- Gamma ray sterilisation process guarantee the creation of products that are extremely safe for users and their patients



BWS®

OSSEOINTEGRATION WITH MORE THAN 20 YEARS OF HISTORY



ONE-PIECE IMPLANT

The ONE-PIECE implant is an implant with compressive threads.

It is used for multiple unit restorations with immediate loading in the upper and lower jaws with adequate bone tissue. It can be used in combination with other implants and allows flap and flapless placement. If the implant has high primary stability it can be bent up to 15 degrees.

One-piece implant Simple placement & prosthetic procedure.

For single & multiple unit cement & telescopic restorations with bendable neck.

Adjustable abutment slope angle.

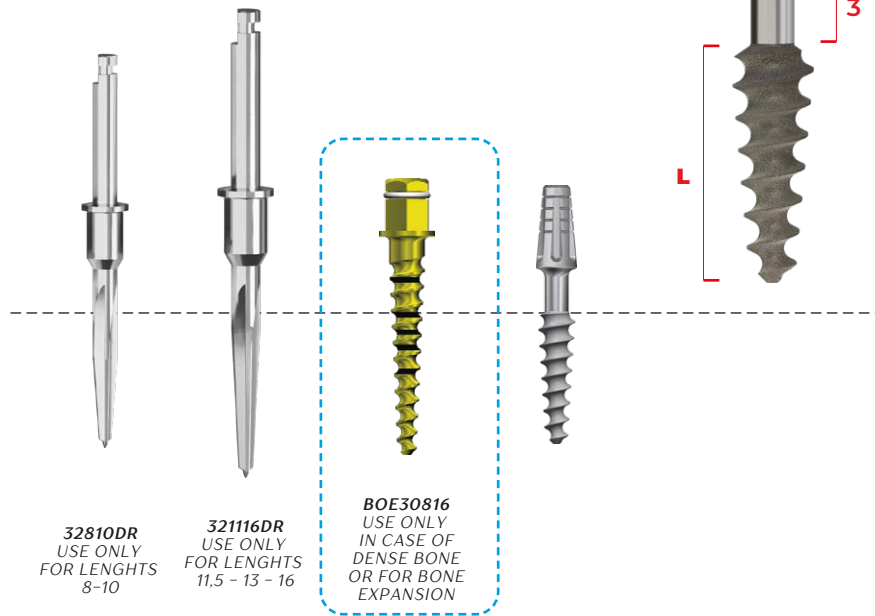
No pumping effect.

Bone condensation design.

ONE-PIECE IMPLANT

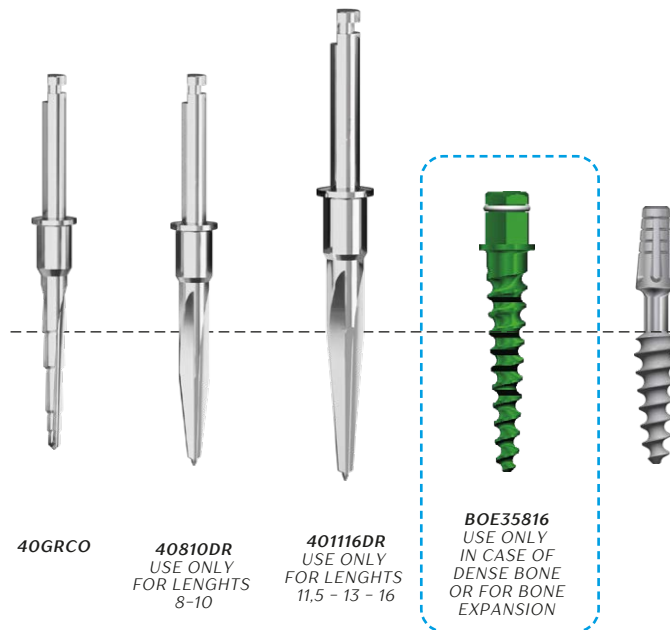
DIAMETER Ø 3.25

LENGHT (L) mm	REF
8	3208C
10	3210C
11,5	3211C
13	3213C
16	3216C



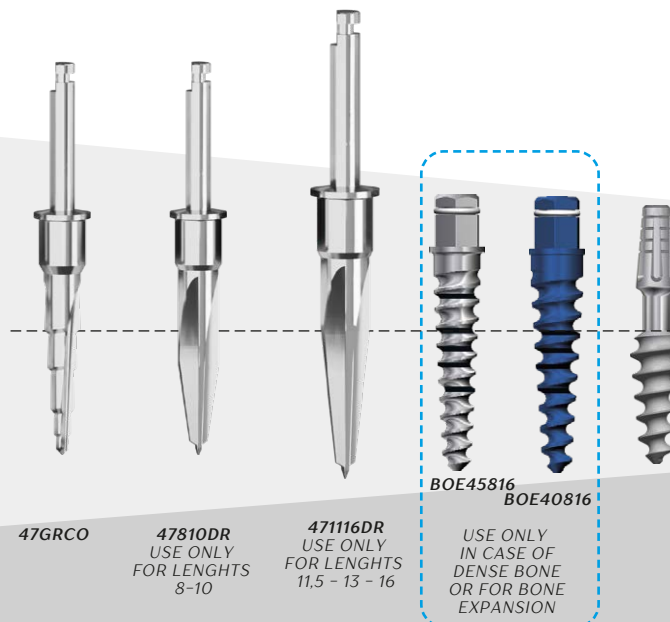
DIAMETER Ø 4.00

LENGHT (L) mm	REF
8	4008C
10	4010C
11,5	4011C
13	4013C
16	4016C



DIAMETER Ø 4.75

LENGHT (L) mm	REF
8	4708C
10	4710C
11,5	4711C
13	4713C
16	4716C



ONE-PIECE IMPLANT | Prosthetic components

IMPRESSION COPING
[Peek]



REF

C0010

IMPLANT ANALOG
[Ti₅]



REF

C0020

STRAIGHT ABUTMENT SHOULDERLESS
[Ti₅]



REF

C0030

C0030R

STRAIGHT ABUTMENT SHOULDER
[Ti₅]



REF

C0050

C0050R

ANGLED ABUTMENT 10° SHOULDER
[Ti₅]



REF

C0060

CASTABLE ABUTMENT SHOULDER
[Pmma]



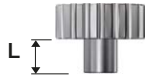
REF

C0040

C0040R

ONE-PIECE IMPLANT | Surgical instruments

HANDWHEEL
[Ti₅]



LENGHT (L)mm

6

REF

AMC016

MOUNTER GUIDE BONE EXPANDER
[Ti₅]



REF

MCGBOE

INSERTION TOOL
[Inox]



REF

C0070

EXTENSION FOR DRILL
[Inox]

LENGHT (L)mm

6

REF

KI589



EXTENSION
[Inox]

LENGHT (L)mm

7

12,5

REF

PMC115

110026

SHORT

LONG



BENDING TOOLS
[Ti₅]



REF

C0080

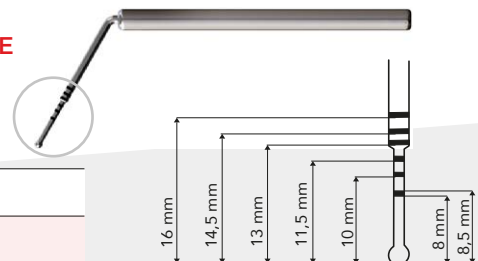
DYNAMOMETRIC RATCHET
[Inox]



REF

CCD070

DEPTH GAUGE
[Ti₅]



REF

001140

HITS IMPLANTS
COMPATIBLE DENTAL IMPLANTS

www.hitsimplants.com
info@hitsimplants.com